

BEAM380 MOVING HEAD LIGHT

MJ-B380



User manual

=====PROFESSIONAL STAGE LIGHTING =====

Thank you for choosing our beam moving head light. For the sake of your safety, Please read and follow these instructions carefully and keep this manual in a safe place for future reference.

Catalogue

Chapter	Page
Safe Usage Of The Product -----	3
Install The Equipment -----	4
Fitting The Lamp-----	4
Power Code Connection -----	5
DMX Connection -----	5
DMX Terminator -----	6
Function Set -----	6
Operation Menu -----	7
Maintenance -----	9
Keeping The Product Clean -----	10
Trouble Shooting-----	10
Equipment and Appendix-----	10
Channel List-----	11
Technical Parameters-----	13

☆Important notice:

- In this instruction for use contains about the installment and the use aspect important information of the beam moving head. When installing and using, you need to look this usage instruction strictly.
- Before open the beam moving head and if you want to do the repair work, please make sure the power source is at the separation condition.
- Every unit is tested completely and packed properly by the manufacturer. Please make sure the packing and the unit are in good condition before installation and use. Should there be any damage caused by transportation, consult your dealer and do not use the unit. Any damage caused by improper use will not be assumed by the manufacturer or dealer.

Attention: Unceasingly carries on the product improvement about our company the policy, in this instruction booklet carries the data will have the possibility to be able to change in the future, when no longer separate notice change matters concerned. Our company retains when the product improvement changes the related specification the authority. This instruction booklet publisher cannot be responsible regarding this instruction booklet in information accuracy, also cannot the related consequence which causes regarding these information be responsible.

SAFE USAGE OF THE PRODUCT

When unpacking and before disposing of the carton, check there is no transportation damage before using the product. Should there be any damage caused by transportation, consult your dealer and do not use the apparatus.

The product is for indoor use only, IP20. Use only in dry locations. Keep this device away from rain and moisture, excessive heat, humidity and dust. Do not allow contact with water or any other liquids.

The product is not designed or intended to be mounted directly on to inflammable surfaces

The product is only intended for installation, operation and maintenance by professional person.

The product must be installed in a location with adequate ventilation, at least 50cm from adjacent wall surfaces. Be sure that no ventilation slots are blocked.

Do not project the beam onto inflammable surfaces, minimum distance is 15m.

Avoid direct exposure to the light from the lamp. The light is harmful to the eye.

Do not attempt to dismantle or modify the projector in any way.

Electrical connection must only be carried out by qualified personnel.

Before installation, ensure that the voltage and frequency of power supply match the power requirements of the projector.

It is essential that each projector is correctly earthed and that electrical installation conforms to all relevant standards.

Do not connect this device to any other types of dimmer apparatus.

Make sure that the power-cord is never crimped or damaged by sharp edges. Never let the power-cord come into contact with other cables. Only handle the power-cord by the plug. Never pull out the plug by tugging the power-cord.

Keep the light clean. Do not touch the light glass with bare hands.

The product should always be installed with a secondary safety fixing. On the projector base brack, there is a hole for the safety cord provided. It should be attached as shown in “installing the projector” section.

The lamp used in this projector is a discharge lamp. After switching off don't attempt to restart the projector until lamp has cooled, this will require approx 15 minutes. Switching the lamp on and off at short intervals will reduce the life of both the lamp and the projector. But occasional breaks will prolong the life of the lamp and projector.

Never run the projector without a lamp.

The light shall be changed if it has become damaged or thermally deformed or reached its life limit.

Shields and lens shall be changed if they have become visibly damaged to such an extent that their effectiveness is impaired, for example by cracks or deep scratches.

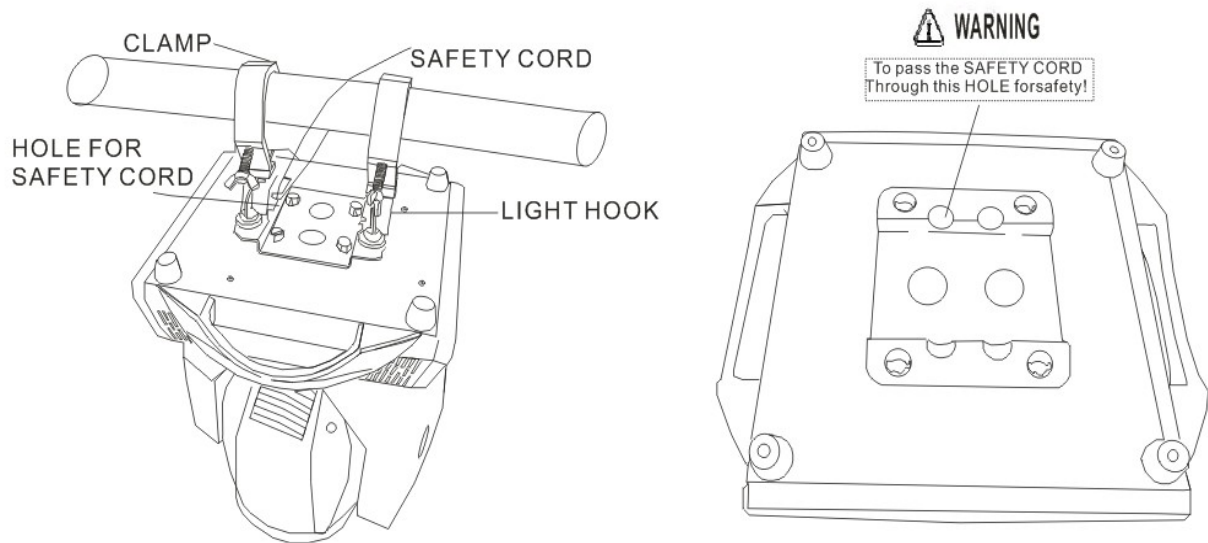
Exterior surface temperatures of the luminaire after 5 minutes operation is 70°, when steady state is achieved 140°.

There is no user serviceable parts inside the projector, do not open the housing and never operate the product with the covers removed.

If you have any questions, don't hesitate to consult your dealer or manufacturer.

★Always disconnect from the mains, when the device is not in use or before cleaning it or before attempting any maintenance work !

Install The Equipment:



Use 2pcs clamp and 1pcs safety cord(need to purchase).Use clamp fix with light hook which in the packing box with light, then use screw install to the bottom of lamp. Hang the fixture on the structure and fasten the screws attached to each clamp. Make sure the light is installed reliable, and confirm the light which you fixed is strong enough for hanging the light. Base on safety reason, please according to the above picture using safety wire cross the light to make it strong enough again.

Warning!

1. Unlock the PAN and TILT before the 1st application of the light for safety.
2. Hook and clamp only use for hanging the light. Do not use clamp as a tool to move fixtures.
3. Base on safety reason, please use the safety cord which can afford the weight ten times of lamp through Insurance hole for auxiliary hanging.
4. Don't use the handle of the moving head light to fixed or lift!

Fitting The Lamp:

- . When replacing the bulb, remove the plastic shell of the lamp head first.
- .Do not touch the bulb of the new lamp with bare hand so as not to influence the beam output.
- .Do not harm the sticking out point of the lamp during its installation.
- .Fit new lamp and close the plastic shell of the lamp head when finished lamp installation.
- .Lamp work will reach a very high temperature, Vapor discharge lamp can not continue to supply this physical characteristics, therefore, the power completely cool for 10 minutes before on the operation. Failure to do so will lead to a high-pressure discharge and short circuit burned out the computer's control panel components.

Notes: Unplug the light from power before lamp installation or replacement and wait for it to cool.

Power Code Connection:

Connect the power cord as follows:

L (live) =brown

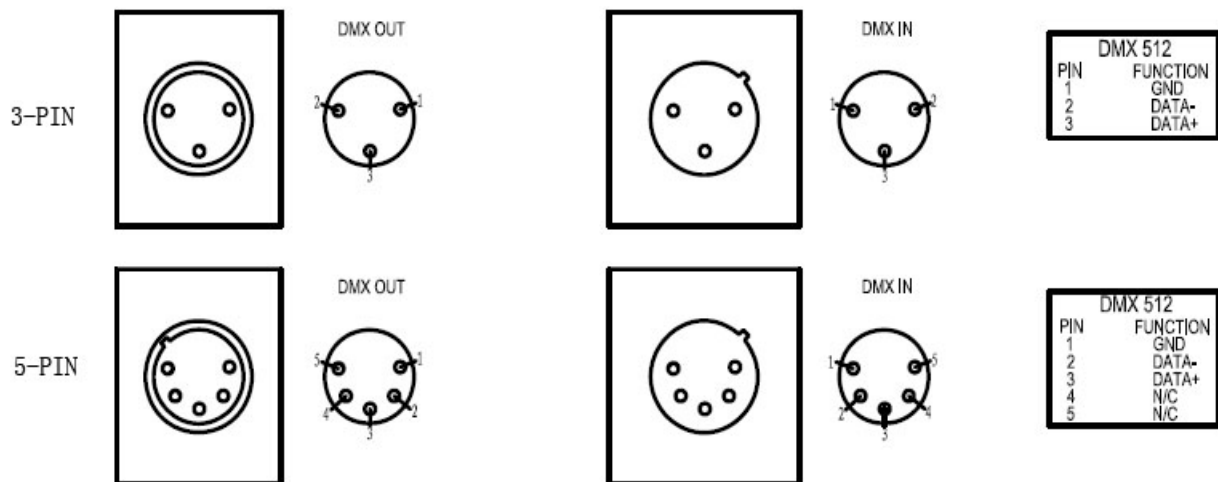
E (earth) =yellow/green

N (neutral) =blue

Use the plug provided to connect the mains power to the projector paying attention to the voltage and frequency marked on the panel of the projector. It is recommended that each projector be supplied separately so that they may be individually switched on and off.

★It is essential that each projector is correctly earthed and the electrical installation conforms to all relevant standards.

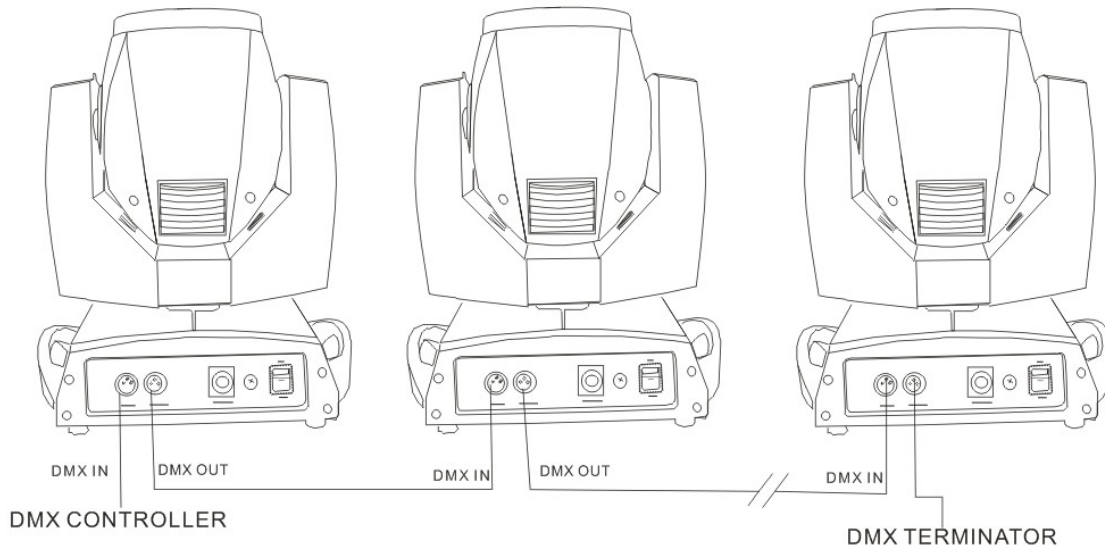
DMX Connection:



Connection between the controller and a projector and between one projector and another must be made with a 2 core-screened cable, with each core having at least a 0.5mm diameter. Connection to and from the projector is via cannon 3 pin (which are included with the projector) XLR plugs and sockets. The XLR's are connected as shown in the figure above.

Note: Care should be taken to ensure that none of the pins touch the metallic body of the plug or each other. The body of the plug is not connected in any way. The XLED 590 accepts digital control signals in protocol DMX512 (1990).

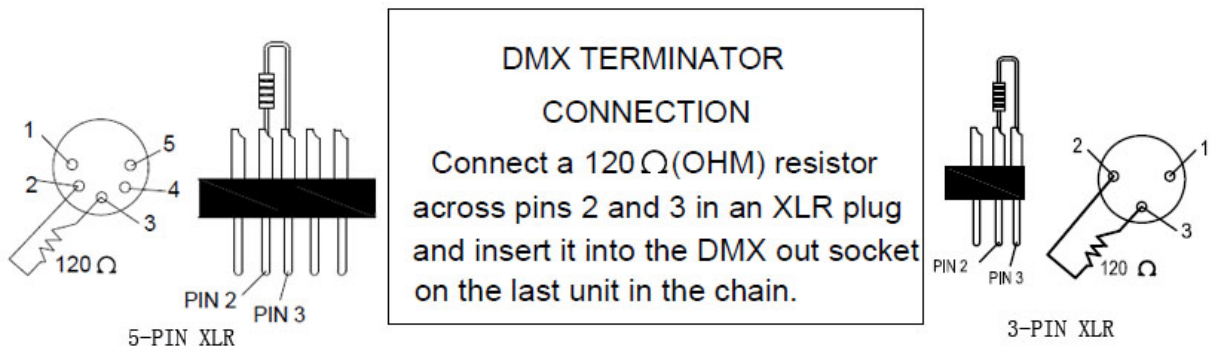
Connect the controller's output to the first fixture's input, and connect the first fixture's output to the second fixture's input and connect the rest fixtures in the same way. Eventually connect the last fixture's output to a DMX terminator as shown in the figure below.



DMX Terminator:

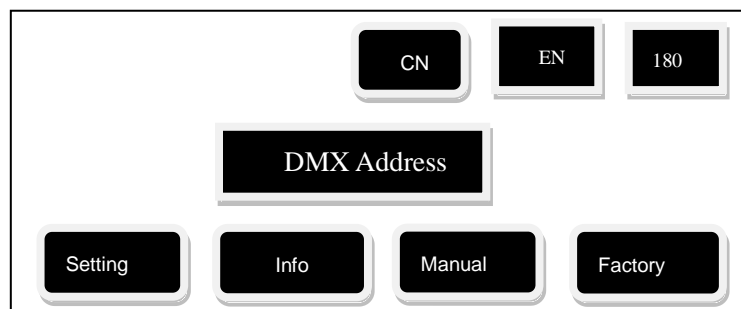
In the Controller mode, at the last fixture in the chain, the DMX output has to be connected with a DMX terminator. This prevents electrical noise from disturbing and corrupting the DMX control signals.

The DMX terminator is simply an XLR connector with a 120Ω (ohm) resistor connected across pins 2 and 3, which is then plugged into the output socket on the last projector in the chain. The connections are illustrated below.

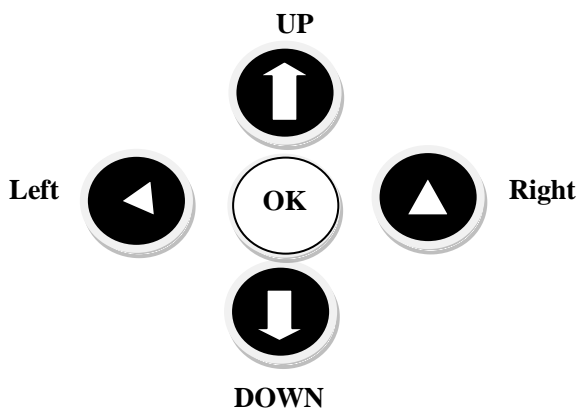


Function Set:

1. Touch Operation(Touch the Menu into the main menu as below)



2. Button Operation



Use button switch and LCD display, can set the address code and function code easily.

Check or modify lighting function settings, Press the **LCD** display or **OK** button. LCD display panel will display main menus. Function operation menu all have corresponding submenu . Each menu all represent the specific functions of lamps, specific see below "operation menu" section.

Set or browse function setting of lamp, Press **UP** or **DOWN** key.

Press **LEFT** and **RIGHT** keys function the same way: return to the previous interface

Press **OK** key to save your changes or to enter submenu, Press **UP** or **DOWN** can change value(Plus or reduce number).

Operation Menu:

➤ Menu Structure chart

1. Setting menu

Options	Instructions	
The operation mode	DMX	From the machine status: receiving DMX signal from the controller or host
	automatic	Host: run automatically, and send the DMXD signal from machine
	Voice control	Receiving external sound or vibration, run the built-in application effect
DMX address	1-512	Press "OK" button to enter edit state. At this point is selected to one hundred, according to the "up" "down" Key change address code. Press the "OK" button once again and selected 10 editing. Press again "OK" button to select bits editor. Then exit the editor state at a time.
The channel model	16	17-20 channel is invalid
	20	17-20 channel control speed (see channel table)
X inversion	Guan/open	
Y inversion	Guan/open	
XY The encoder	guan	Do not use the encoder (light coupling) correct position
	op	Using encoder (light coupling) judging out-of-step and automatically correct position
No DMX signal	keep	According to the original state continues to run
	reset	The motor return, stop running
The screen	open	Close the backlit idle for 30 seconds

saver	gua	Back lit yongliang
Switch on light	open	When start the lamps and lanterns, lamp light up automatically
bubble	guan	Start the lamps and lanterns, the bulb is not bright
Restore the default Settings	no	
	yes	Press "ok" is to restore the default Settings

2. Information menu

Options	Instructions
Software version	The current software version (K12.003)
Fan speed	Display fan speed
Total light soaking time	Total light bubble time (accurate to minutes)
The light soaking time	The light of this boot since bubble time (down to minute)
DMX channel value	In the condition of DMX, showing all channels of value (number), thus the child into the interface, display as a percentage value and channel value for viewing
System error record	If red ERR lights shine, then failed to reset run out of step, can enter child interface for details. After the view can press "ok" the error record to empty

3. Manual control menu

This interface is used to control the current lamps and lanterns, neither belongs to the state machine from machine shape (not receiving DMX signal) also does not belong to the host shape (not send DMX signal)

Options	Instructions
Reset	Click "ok" button after see confirmation dialog, press the "ok" key once again, after carry into the interface, reset all motor
The light bulb control	ON/OFF
The color wheel	Press "ok" button to enter edit state. At this point is selected, click on "next" button to change channels values, press the "ok" button once again and exit the editor.
.....	
Pattern plate speed	

4. Advanced interface

To enter the show advanced interface, please enter the password: XXXXXX. Specific operation process: press the up and down key to choose Numbers (a *) at a time. Password input after fully, finally press the "ok" key password authentication.

Options	Instructions
The biggest bright time	0-9999 Can be set up on time
Encryption scheme	Off
	The number of time
Encryption parameters (frequency/time)	0-9999 After the encryption mode to open the work. Can be set up the use of lamps and lanterns (number/time)

5. Thou hast interface

Click "ok" button, the interface inversion can be 180 degree show.

6. English interface

Click "ok" button, the interface, switch to English mode.

7. Chinese interface

Click "ok" button, the interface, switch to the Chinese model.

8. The factory menu

Enter the factory interface, display, please enter the password: XXXXXX. Specific operation process: press the up and down key to choose Numbers (a *) at a time. Password input after fully, finally press the "OK" (OK) key password authentication.

Options	Instructions	
Reset the calibration (fine)	0-255	X calibration
	0-255	Y calibration
	0-255	The dimming calibration
	0-255	Color wheel alignment
	0-255	Pattern plate of the calibration
	0-255	Focusing calibration
	0-255	Prism calibration
	0-255	Fog lens calibration
Channel Settings	Can be set up channel switch	
Screen saver mode	Pattern 1	According to address code
	Pattern 2	According to factory LOGO
	Pattern 3	No display (reserve)
Bright time reset	NO/YES	

Maintenance:

To prolong the life of the projector, some maintenance work has to be done to ensure the optical system in good condition. If the projector does not function, check the fuses on the power socket of the projector, they should only be replaced by fuses of the same specification. Should these be damaged, call a qualified technician before replacement. The projector has thermal protection device that will switch off the projector in case of overheating. Should either of these operate, check that the fans are not blocked, and if they are dirty, clean them before switching on the projector again. Check that the fans are operational, if not, call a qualified technician.

☆Any maintenance work should only be carried out by qualified technicians.

Keeping The Product Clean:

To ensure the reliability of the projector, it should be kept clean. It is recommended that the fans should be cleaned every 15 days. The lens and dichroic colour filters should also be regularly cleaned to maintain an optimum light output.

Do NOT use any type of solvent on dichroic colour filters.

Cleaning frequency depends on the environment in which the fixture operates: damp, smoke or particularly dirty surroundings can cause greater accumulation of dirt on the unit's optics. A soft cloth and typical glass cleaning products should be used for cleaning. It is recommended to clean the external optics at least once every 15 days and clean the internal optics at least once every 60 / 90 days.

☆**Do not use any organic solvent, e.g. alcohol, to clean housing of the apparatus.**

Trouble Shooting:

Problem	Answer
The moving head light doesn't switch on.	Check the fuse the power socket Replace the lamp
Although shines, but the moving head lamp doesn't accept the instruction of the controller.	Check the digital start address and also check the connection situation of the communication control line
The moving head lamp only can work intermittently.	Inspect the power supply and voltage is whether normal. Make sure the fan is working well or fans and their filters not blocked
Defective projection	Make sure the lamp is within its life limit Remove dust or grease from the lenses.
The beam appears dim	heck the optics is clean or the lens in good condition(not cracked) Replace with a new lamp of the specified type and rating.

☆**Other maintain work should by the specialist which has the experience to carry on.**

Equipment And Appendix:

☆ Beam 380W Moving Head Light	1pcs
☆ Power Cable	1pcs
☆ XLR connector	1unit
☆ Light Hook	2pcs
☆ The Product of Instruction	1pcs

Channel List: (16CH MODE)

Channel	Function	Value	Function description
CH1	Colour	0 ~ 9	Open
		10 ~ 14	Open+Colour1
		15 ~ 19	Colour1
		20 ~ 24	Colour1+Colour2
		24 ~ 29	Colour2
		30 ~ 34	Colour2+Colour3
		35 ~ 39	Colour3
		40 ~ 44	Colour3+Colour4
		45 ~ 49	Colour4
		50 ~ 54	Colour4+Colour5
		55 ~ 59	Colour5
		60 ~ 64	Colour5+Colour6
		65 ~ 69	Colour6
		70 ~ 74	Colour6+Colour7
		75 ~ 79	Colour7
		80 ~ 84	Colour7+Colour8
		85 ~ 89	Colour8
		90 ~ 94	Colour8+Colour9
		95 ~ 99	Colour9
		100 ~ 104	Colour9+Colour10
		105 ~ 109	Colour10
		110 ~ 114	Colour10+Colour11
		115 ~ 119	Colour11
		120 ~ 124	Colour11+Colour12
		125 ~ 129	Colour12
130 ~ 134	Colour12+Colour13		
135 ~ 139	Colour13		
140 ~ 149	Colour13+Open		
150 ~ 203	Forward flow(From fast to slow)		
204 ~ 255	Reverse flow(From slow to fast)		
CH2	Shutter	0 ~ 3	Closed
		4 ~ 103	Strobe pulse(From slow to fast)
		104 ~ 107	Open
		108 ~ 207	Stroboscopic effect(From slow to fast)
		209 ~ 212	Open
		213 ~ 251	Randomstrobe(From slow to fast)
		252 ~ 255	Open
CH3	Dimmer	0 ~ 255	From dark to light

CH4	Gobo	0 ~ 6	Open
		7 ~ 13	Gobo1
		14 ~ 20	Gobo2
		21 ~ 27	Gobo3
		28 ~ 34	Gobo4
		35 ~ 41	Gobo5
		42 ~ 47	Gobo6
		48 ~ 53	Gobo7
		54 ~ 59	Gobo8
		60 ~ 65	Gobo9
		66 ~ 71	Gobo10
		72 ~ 89	Gobo11
		90 ~ 95	Gobo1 shake (From slow to fast)
		96 ~ 100	Gobo2 shake (From slow to fast)
		101 ~ 105	Gobo3 shake (From slow to fast)
		106 ~ 110	Gobo4 shake (From slow to fast)
		111 ~ 115	Gobo5 shake (From slow to fast)
		116 ~ 120	Gobo6 shake (From slow to fast)
		121 ~ 125	Gobo7 shake (From slow to fast)
		126 ~ 130	Gobo8 shake (From slow to fast)
		131 ~ 135	Gobo9 shake (From slow to fast)
		135 ~ 140	Gobo10 shake (From slow to fast)
		141 ~ 155	Gobo11 shake (From slow to fast)
156 ~ 160	Open		
161 ~ 205	Forward flow(From fast to slow)		
206 ~ 210	Open		
211 ~ 255	Reverse flow(From slow to fast)		
CH5	Prism1	0 ~ 255	000-019 invalid
			020-075 Prism1-(16)
			076-127 Prism2-(24+16+8)
			128-255 Prism1Prism2
CH6	Prism1 Rot	0 ~ 127	Prism rotation positioning
		128 ~ 191	Prism veering rotation from slow to fast
		192 ~ 255	Prism reversion rotation from slow to fast
	Prism2 Rot	0 ~ 127	Prism rotation positioning
		128 ~ 191	Prism veering rotation from slow to fast
		192 ~ 255	Prism reversion rotation from slow to fast
CH8	Focus	0 ~ 255	Linear focus(From near to far)
CH9	Pan	0 ~ 255	0-540 Degree
CH10	Pan Low	0 ~ 255	0-2.1 Degree Low
CH11	Tilt	0 ~ 255	0-270 Degree
CH12	Tilt Low	0 ~ 255	0-2.1 Degree Low
CH13	P/T Speed	0 ~ 255	From fast to slow

CH14	Frost	0 ~ 255	Frost
CH15	Colourful prism	0 ~ 127	Colourful color prism Off
		128 ~ 255	Colourful color prism Open
CH16	Reset	100 ~ 105	Lamp Off
		200 ~ 205	Lamp Open
		250 ~ 255	Reset

Technical Parameters:

Voltage : AC100~240V/50-60Hz

Power consumption:550W@(220V)

Bulb: YODN 3800W lamp

Lamp : YODN MSD380D18 LAMP

Color temperature : 8500K

Color: 13 Color + Open, Color half step function

Gobo: 11 Fixed gobo + Open, Gobo shake function

Prism: 1Pcs 16-face rotation prism, Bilateral rotation, Prism superposition function

1Pcs 24+16+8-face rotation prism, Bilateral rotation, Prism superposition function

Frost: 1Pcs frost mirror

Focus: Linear focusing

Multi-color mirror: 6 color mirror

Dimmer : 0-100% linear adjustment ,Strobe(0.5-9 times/ second)

Beam angle : Parallel beam angel 0 – 1.9°

Channel : 16CH

Control mode : Standard DMX512, Automatic, Sound and Master-slave mode

Pan: X axis 540°automatically accurate positioning

Tilt: Y axis 270°automatically accurate positioning

Control Panel: LCD touch screen display panel with buttons, 2.2-inch color LCD display with English and Chinese menu, can be rotation 180 °

Protection grade:IP20

Net weight:18KG

Gross Weight: 20.5 kg

Package Size: 420 x 360x 695cm